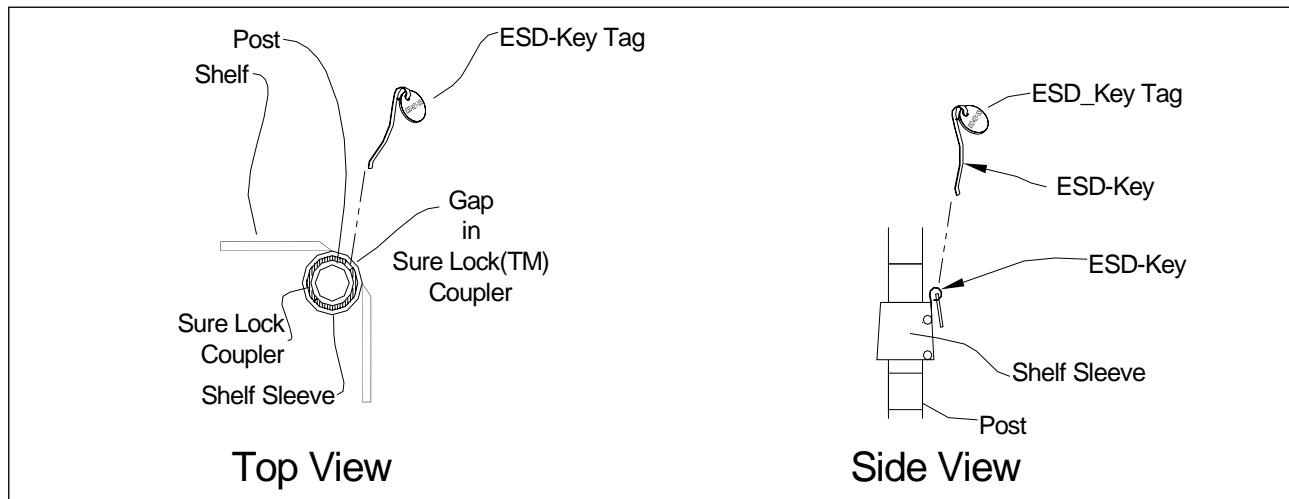


## ESD Key™ Installation

When properly installed, the ESD Key™ will provide an ESD safe electrical connection between a shelf and post of an ISS™ shelving unit that uses Sure Lock™ couplers without having to unload or disassemble the shelving unit, and without having to purchase and install the conductive split sleeves or Sure Lock™ couplers



### Installation Instructions

- Assemble the shelving unit as desired (no metal split sleeves or special conductive Sure Lock™ couplers are required)
- Select at least one corner post(s) of a shelving unit to serve as a ground post
- Clean post(s) and shelf sleeve(s) of any insulating material such as tape or labels
- Install one ESD Key™ into the gap of the Sure Lock™ couplers (as shown) between the shelf and the post at each shelf on the designated ground post(s)
- Check electrical continuity between the shelf and post using an ohmmeter
- As with any other ESD grounding system, the shelving should be periodically tested to insure proper grounding.

### To ground a mobile cart: (see web site for more info)

- install an ESD caster on each corner with a grounding post or use a chain or cable to connect to the floor ground
- Install a ground plug on the cart to connect the cart to a common ground when parked at a workstation

### To ground a stationary shelving unit: (see web site for more info)

Connect the shelving unit to a common ground using a suitable wire or connect to a grounded and functional ESD floor using the shelving unit's metal feet on each grounding post. More than one grounding post is desirable

**For More information about grounding strategies, see [www.static-dynamics.com](http://www.static-dynamics.com)**